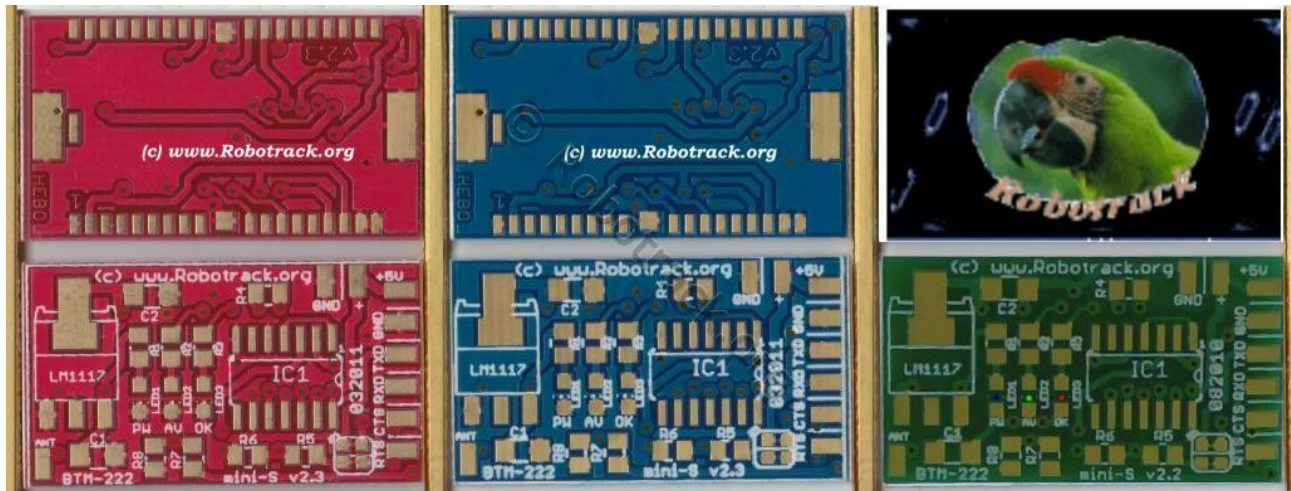
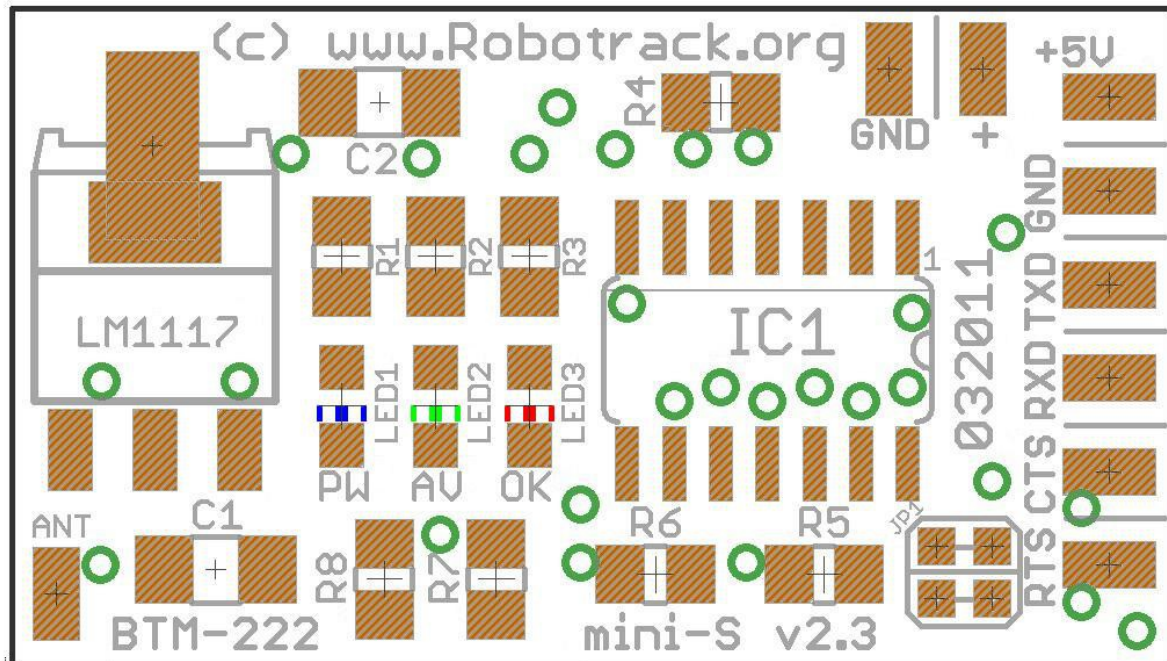
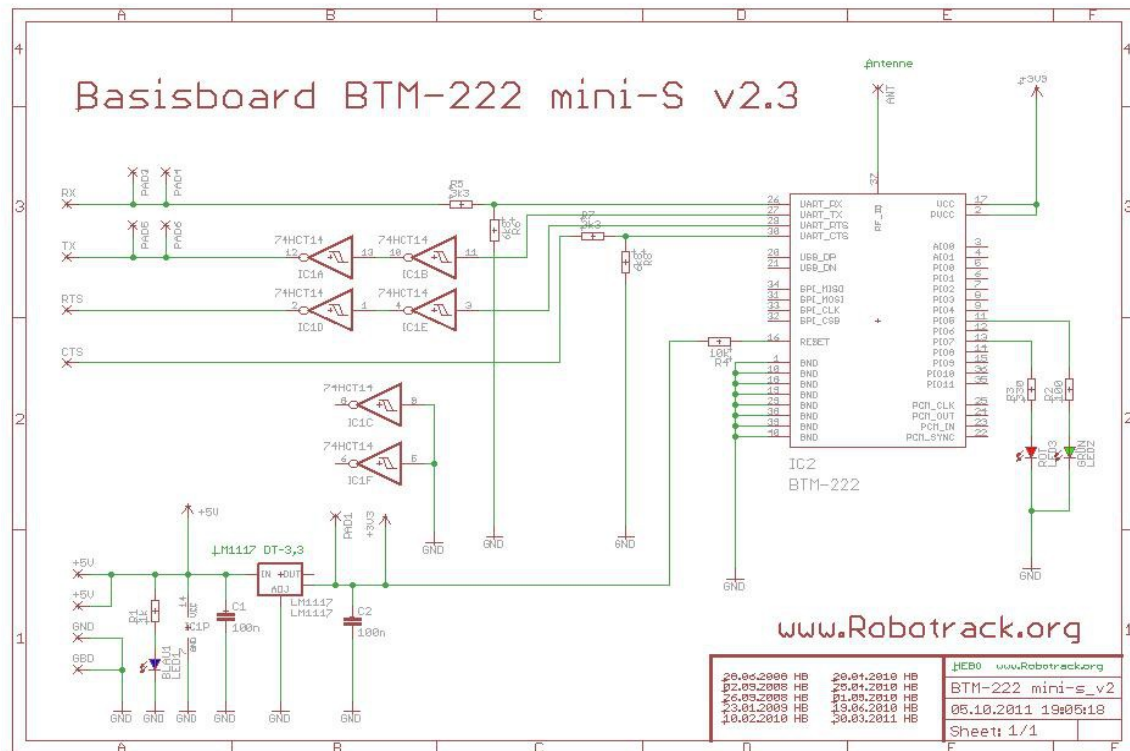


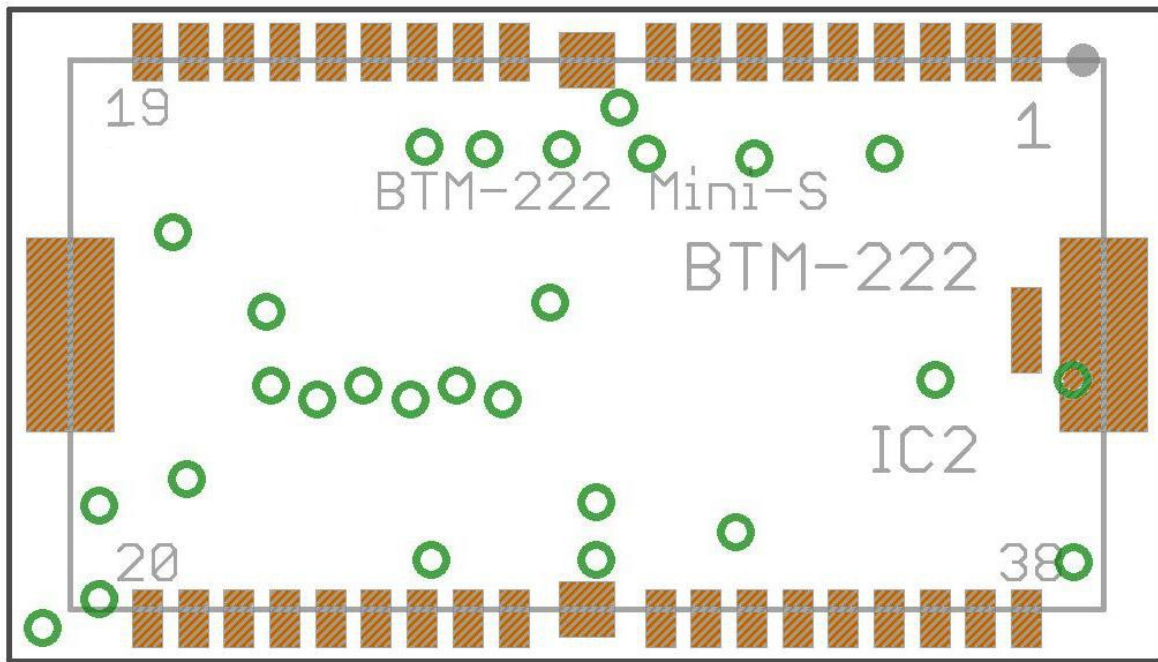
Bluetooth Modul BTM-mini-S v2.3



Bluetooth Modul BTM-mini-S v2.3



Bluetooth Modul BTM-mini-S v2.3



Bauteilliste: [CSD-electronics](https://www.csd-electronics.com/)

| Menge | Bezeichnung | Bestellnummer | EUR |
|-----------------|--|---------------|-------|
| 1 IC2 | BTM-222 Bluetooth-Modul | 30402 | 13.95 |
| 1 IC1 | 74HCT14 SMD | 16106 | 0.25 |
| 1 | LM1117DT-3,3V | 223-1713 | 0.95 |
| 1 R1 für (LED1) | 0805 1000 Ohm | 10-08K001 | 0.06 |
| 1 R2 für (LED2) | 0805 100 Ohm | 10-080100 | 0.06 |
| 1 R3 für (LED3) | 0805 330 Ohm | 10-080330 | 0.06 |
| 1 LED1 | LED 0805 BLAU | 26-0804060 | 0.35 |
| 1 LED2 | LED 0805 GRÜN | 26-0802017 | 0.08 |
| 1 LED3 | LED 0805 ROT | 26-0801032 | 0.08 |
| 2 R6, R8 | 0805 6800 Ohm | 10-08K006,8 | 0.08 |
| 2 R5, R7 | 0805 3300 Ohm | 10-08K003,3 | 0.06 |
| 2 C1,C2 | 1206 100nF | 115-12N100 | 0.05 |
| 1 R4 | 0805 SMD 10k Ohm | 10-08K010 | 0.07 |
| 1 PCB | BTM-mini-S Platine Robotrack Sammelbestellung BTM mini-S v2.3 | | 3,90 |